



### BZLN-RH



*Actual product appearance may vary.*

**Prewired Enclosed Switches Series**  
**BZLN: Top Plunger Actuator; 1NC 1NO**  
**SPDT Snap Action; No. 14 wire leads**  
**with 1/2 in - 14NPSM conduit hub; Right-**  
**hand Actuator**

#### Features

- Zinc die-cast housing
- Will withstand impact actuation
- Positioning dowel holes
- SPDT or 2-CKT DB circuitry
- UL Recognized, file #E12252
- CSA Certified, file #LR41372
- No. 14 type HWM wire leads, conduit hub seal
- Conduit size 1/2 - 14NPSM
- Sealed to NEMA 1, 3, 4, and 13

#### Potential Applications

- Machine tool
- Stamping machines
- Applications which have shock/vibration present

#### Description

MICRO SWITCH™ LN switches are designed to withstand rapid hammer-blow actuation. Impact on the actuating plunger cannot reach the precision switch unit inside. Individual seals around each leadwire and cover plate protect switch cavity from condensate, oil, and dust. Acuator position: The RH or LH suffix on the end of the catalog listing means the actuator is to the right or left side of the switch as viewed from the nameplate.

Product Specifications	
Availability	Global
Operating Force (O.F.)	22,2 N max. [5 lbs max.]
Release Force (R.F.)	4,45 N max. [1 lb min.]
Pretravel (P.T.)	0,20 mm to 0,51 mm [.008 in to .020 in]
Overtravel (O.T.)	5,16 mm min. [0.203 in min.]
Differential Travel (D.T.)	0,10 mm max. [0.004 in max.]
Product Type	Enclosed Switches
Actuator	Top Plunger
Circuitry	1NC 1NO SPDT Snap Action
Ampere Rating	15 A Ind./0.5 A Res./0.25 A Res.
Supply Voltage	125 Vac, 250 Vac, 480 Vac/125 Vdc/250 Vdc
Housing Material	Zinc Die-Cast

Termination Type	Preleaded with 1/2 in - 14NPSM conduit
Series Name	LN
Sealing	NEMA 1, 3, 4, and 13
Approvals	UL recognized, CSA certified
CSA File #	LR41372
UL File #	E12252
Operating Temperature Range	-32 °C to 55 °C [-25 °F to 131 °F]
Comment	Right-hand Actuator; 1-ft. lead length
UNSPSC Code	302119
UNSPSC Commodity	302119 Switches and controls and relays
Sealed	Industrial
Operating Position (O.P.)	41,7 mm [1.64 in]

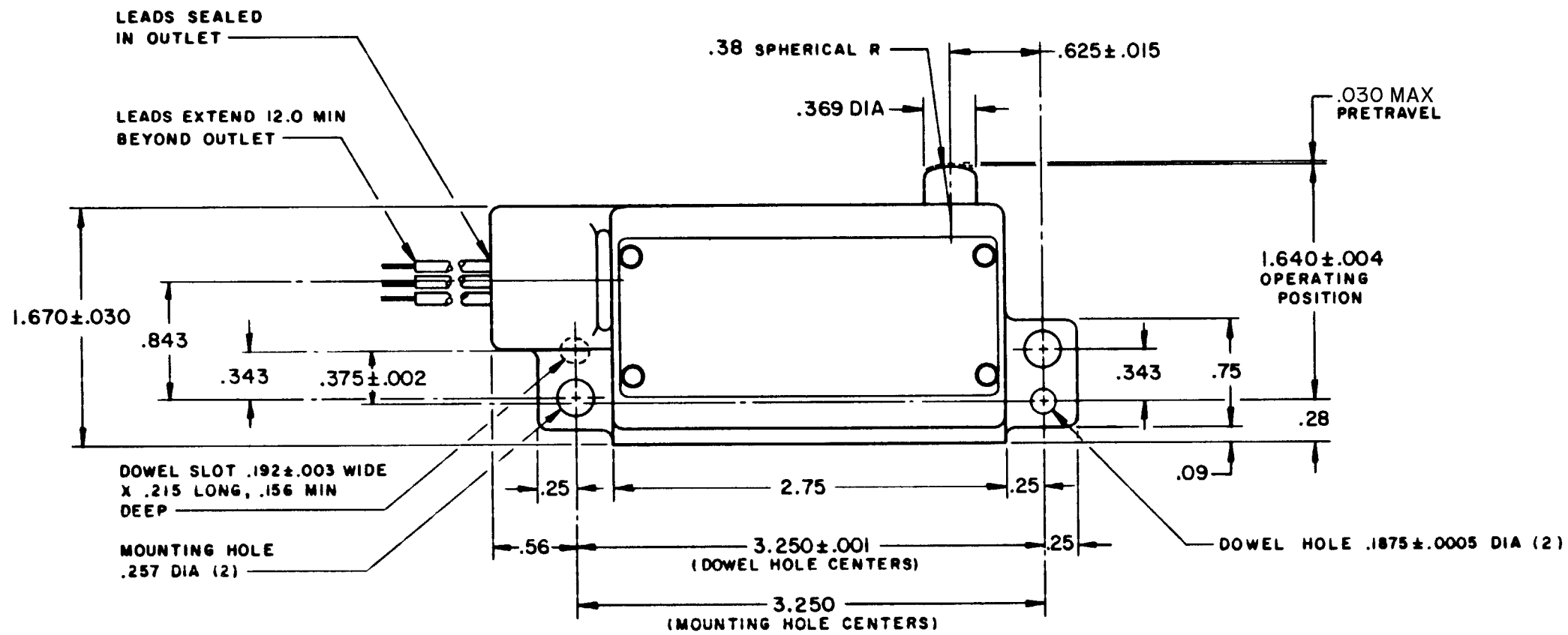
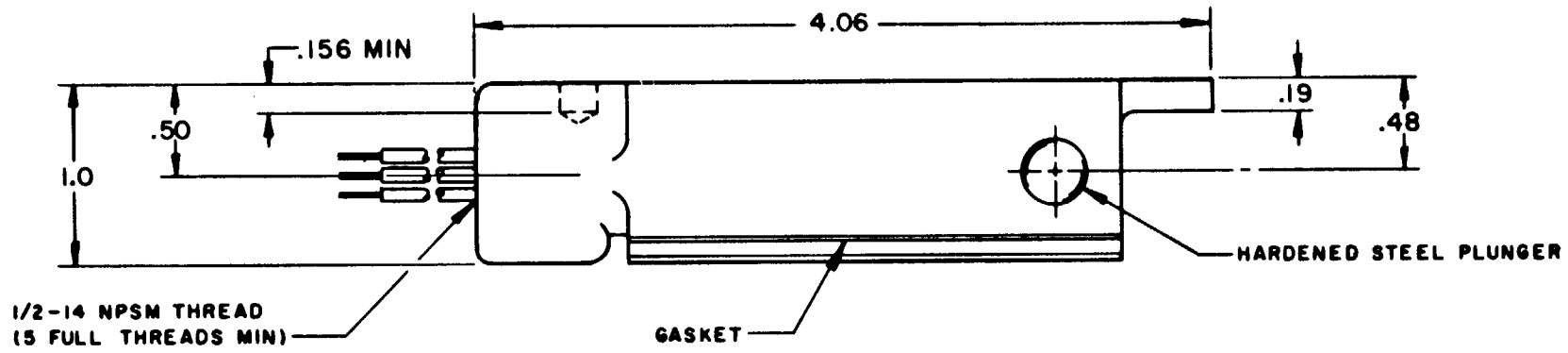
**H MICRO SWITCH**  
 FREEPORT, ILLINOIS, U S A  
 A DIVISION OF HONEYWELL

**SWITCH - ENCLOSED**

CATALOG LISTING  
**BZLN-RH**

FED. MFG. CODE 91929

BZLN-RH  
 M  
 DRAWING NUMBER  
 ISSUE 1011  
 REVISIONS  
 A CO19597 M B F 5 NOV 64  
 B CO50714 G J W 27 APR 82  
 C CO55988 M A M 31 OCT 84  
 D CO-81715 J A K 26 SEP 95  
 DRAWN M B F 5 NOV 64  
 CHECK P A W 13 NOV 64  
 FORMTEK  
 REPLACES  
 RELEASE NO.  
 CHECK  
 CHECK



THIS DRAWING COVERS A PROPRIETARY ITEM AND IS THE PROPERTY OF MICRO SWITCH, A DIVISION OF MINNEAPOLIS-HONEYWELL REGULATOR CO. THIS DRAWING IS NOT TO BE COPIED OR USED WITHOUT THE APPROVAL OF MICRO SWITCH.

CHARACTERISTICS	ELECTRICAL DATA	SCALE FULL
OPERATING FORCE — — — — 5 LB MAX	CONTACT ARRANGEMENT S P D T	DO NOT SCALE PRINT
RELEASE FORCE — — — — 1 LB MIN	-L96- 15 A-125, 250, OR 480 VAC	UNLESS OTHERWISE NOTED
DIFFERENTIAL TRAVEL — — — .004 MAX	1/2 A-125 VDC; 1/4 A-250 VDC	DIMENSIONS ARE IN INCHES
OVERTRAVEL — — — — .203 MIN	1/8 HP-125 VAC; 1/4 HP-250 VAC	<b>TOLERANCES ARE:</b>
	RJ	ONE PLACE (.0) ± .030
		TWO PLACE (.00) ± .015
		THREE PLACE (.000) ± .005
		ANGLES ±
		WEIGHT .720 LB PLUS LEADS

WIRING CONNECTIONS—  
 COMMON - BLACK LEAD  
 NORMALLY OPEN - BLUE LEAD  
 NORMALLY CLOSED - RED LEAD